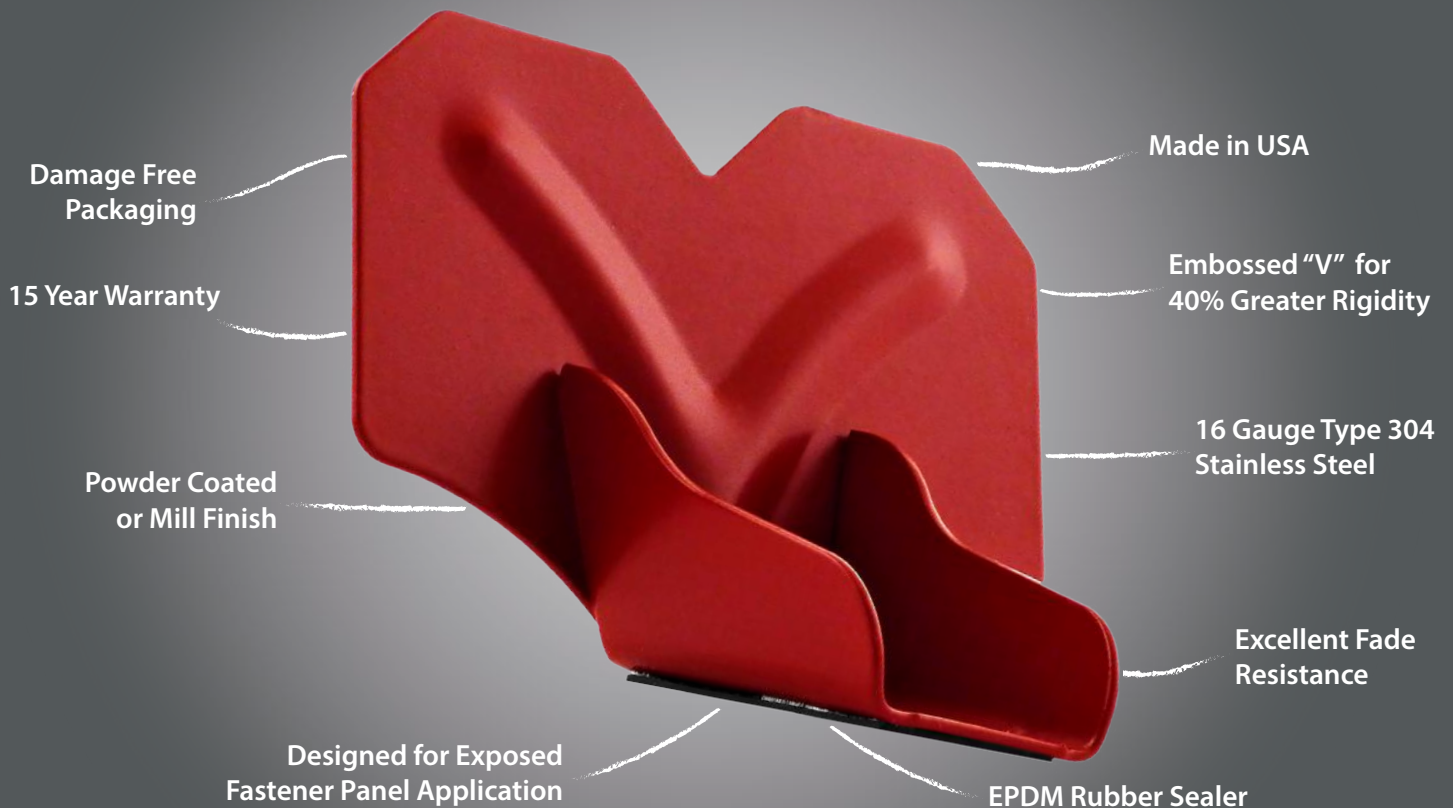


SNOW DEFENDER[®] 4500



The Snow Defender[®] 4500 is the snow guard you need for long lasting protection against melting snow. Designed for use with exposed fastener panels on 2x4 purlins in the flat position.

The EPDM Rubber seal makes installation quick and easy. No extra caulk to take up on the roof, just screws and snow guards. The 304 Stainless Steel design and ability to use up to a #14 screw for fastening assures that these snow guards stay on the roof. They come in 40+ colors which allows you to match virtually any metal roofing color. They are designed for use with wood furring strips or purlins under metal. The traditional look adds character to your roof project while protecting people, vehicles, and landscaping below. The Snow Defender[®] 4500 allows snow to come off the roof in small pieces, while keeping it from sliding off all at one.



SNOW DEFENDER®

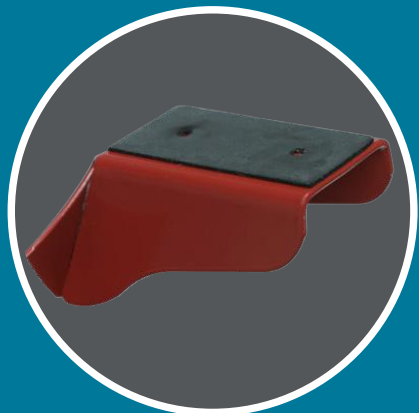
4500



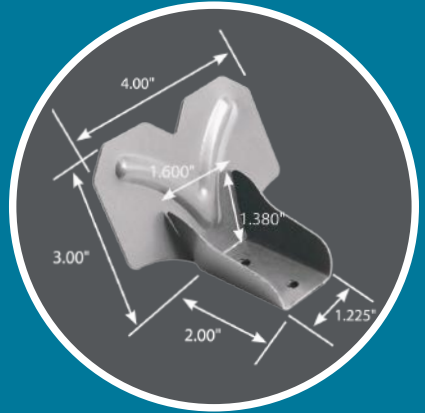
Item #	Description	Pcs/Bx	Lb/Bx
SD45	Snow Defender® 4500	50	15.1



Embossed "V" for 40% Greater Rigidity



EPDM Washer



Innovative Design

Also Available:

